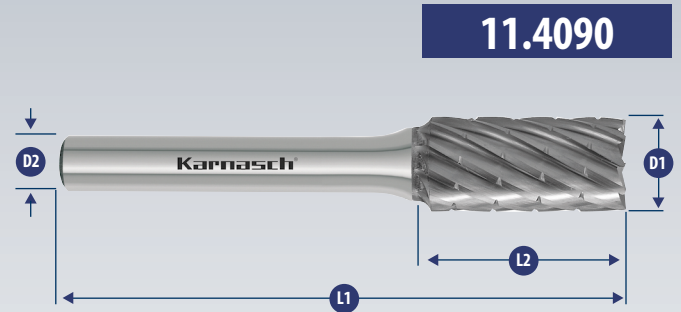
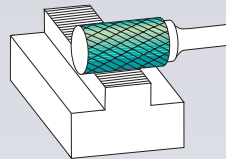


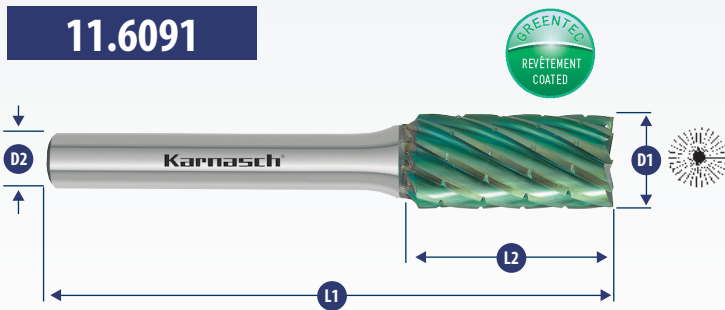
ART	D1	L2	D2	L1	Brazed Brasé	VHM SOLID
11.6090.010	• 6	18	6	50		✓
11.6090.020	• 8	20	6	65	✓	
11.6090.030	• 10	20	6	65	✓	
11.6090.040	• 12DIN	25	6	70	✓	
11.6090.050	• 16	25	6	70	✓	

A FORME / SHAPE ZYA

Cylindrique sans coupe en bout
Cylinder without end cut



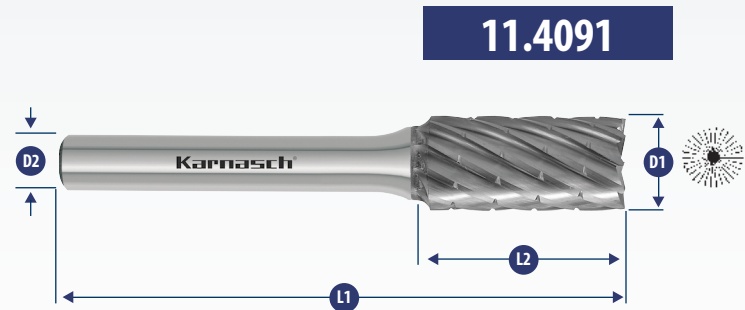
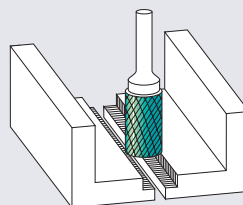
ART	D1	L2	D2	L1	Brazed Brasé	VHM SOLID
11.4090.010	• 6	18	6	50		✓
11.4090.020	• 8	20	6	65	✓	
11.4090.030	• 10	20	6	65	✓	
11.4090.040	• 12DIN	25	6	70	✓	
11.4090.050	• 16	25	6	70	✓	



ART	D1	L2	D2	L1	Brazed Brasé	VHM SOLID
11.6091.010	• 6	18	6	50		✓
11.6091.020	• 8	20	6	65	✓	
11.6091.030	• 10	20	6	65	✓	
11.6091.040	• 12DIN	25	6	70	✓	
11.6091.050	• 16	25	6	70	✓	

B FORME / SHAPE ZYB

Cylindrique avec coupe en bout
Cylinder with end cut



ART	D1	L2	D2	L1	Brazed Brasé	VHM SOLID
11.4091.010	• 6	18	6	50		✓
11.4091.020	• 8	20	6	65	✓	
11.4091.030	• 10	20	6	65	✓	
11.4091.040	• 12DIN	25	6	70	✓	
11.4091.050	• 16	25	6	70	✓	